

4

3

2

1

C

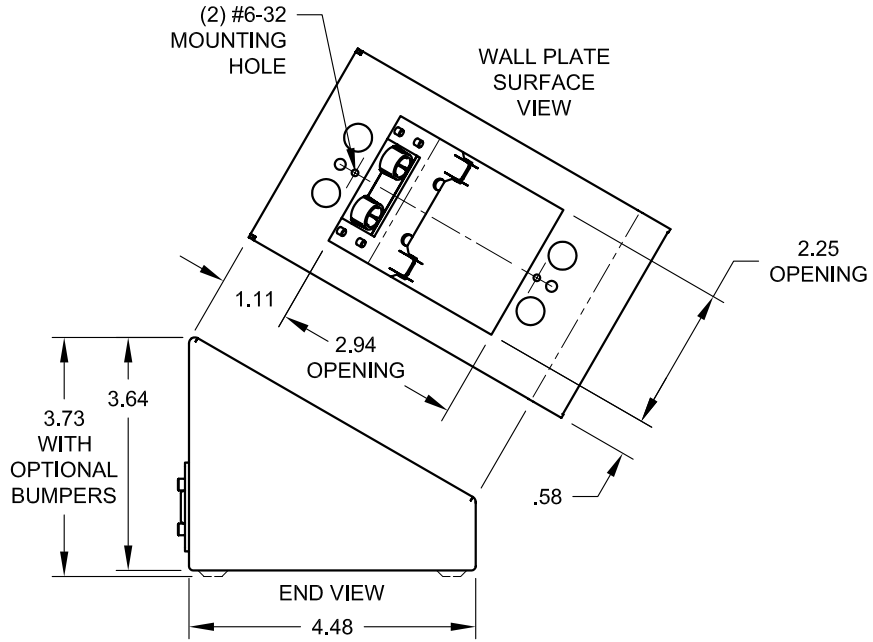
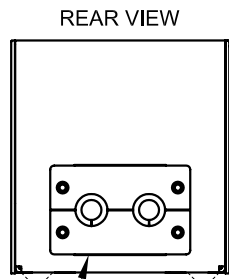
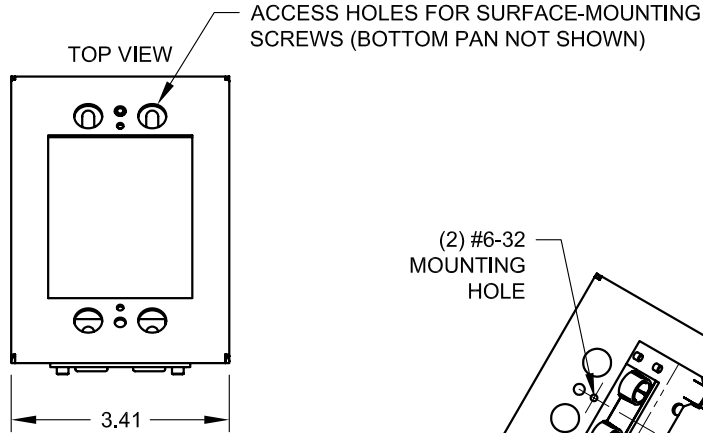
C

B

B

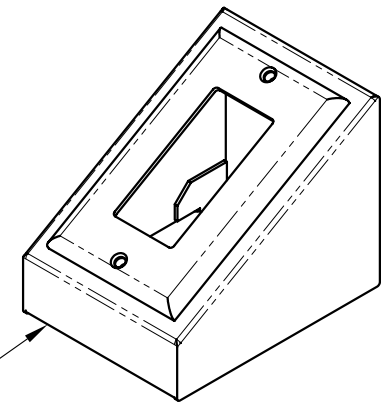
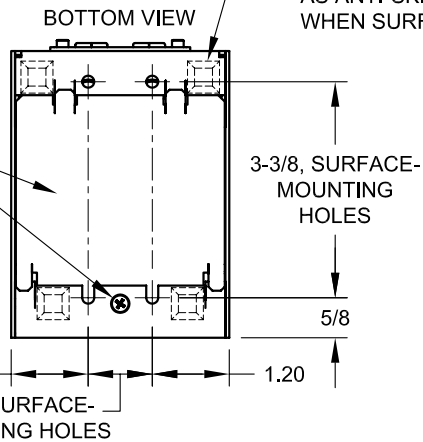
A

A



IPS-B020D PROVIDED (PASS THRU, 2 x .312 ID BUSHING)

(4) SUPPLIED BUMPERS USED AS ANTI-SKID FEET (NOT USED WHEN SURFACE-MOUNTING)



FSR inc. 244 BERGEN BLVD. W. PATERSON, NJ 07424 TEL. (973) 785-4347 FAX (973) 785-3318	TITLE: DSKB-1G		
	DRAWN BY: JRE	DATE: 01/18/07	REV: -
	DWG#: DSKB-1G	SCALE: 1:3	

4

3

2

1