

4

3

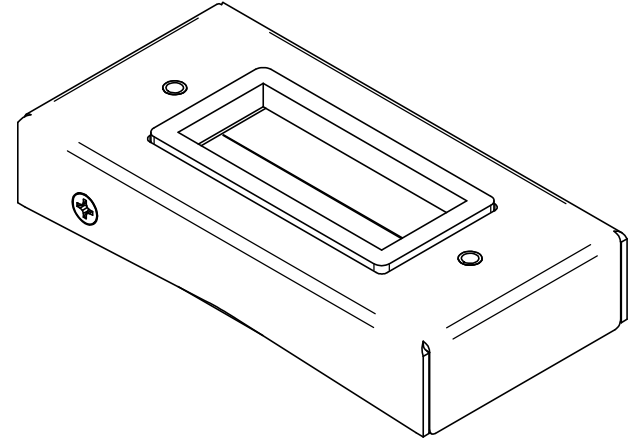
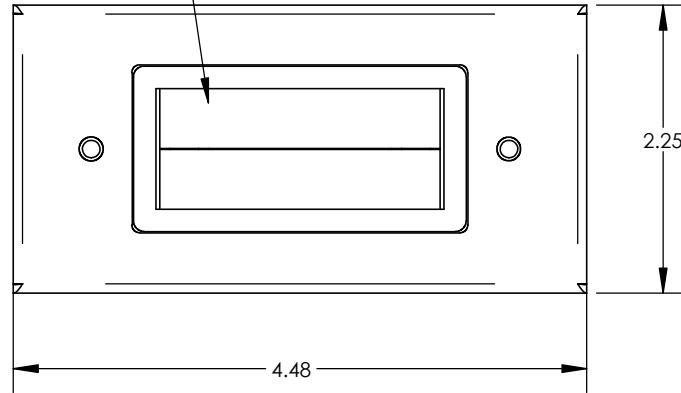
2

1

C

C

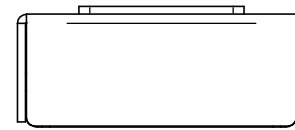
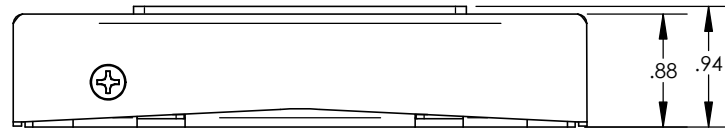
BRUSH GROMET



FINISH SLATE GREY

B

B



2 HIGH VOLTAGE BLOCK OFF PLATES PROVIDED

A

A

4

3

2

1

<b>FSR inc.</b> 244 BERGEN BLVD. WOODLAND PARK, NJ 07424 TEL (973) 785-4347 FAX (973) 785-3318	TITLE:		
	SW-DG-SLT		
	DRAWN BY: JRE	DATE: 01/31/23	REV: 00
DWG#: SW-DG-SLT	PAGE: 1 OF 1	SCALE: 1:2	