

4

3

2

1

C

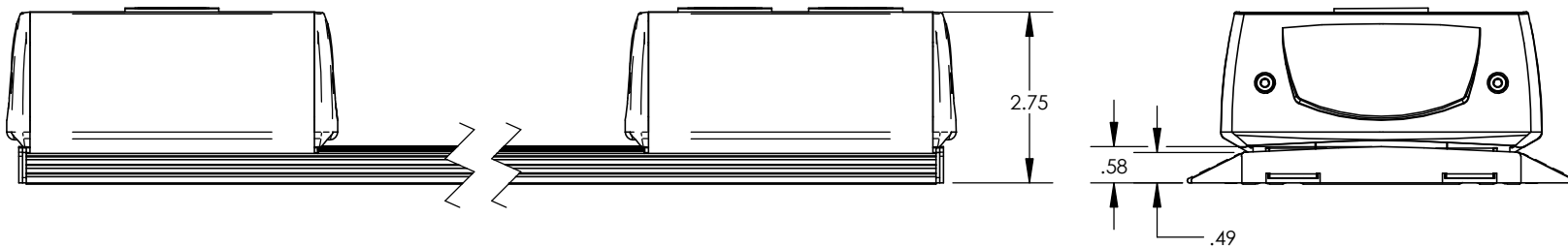
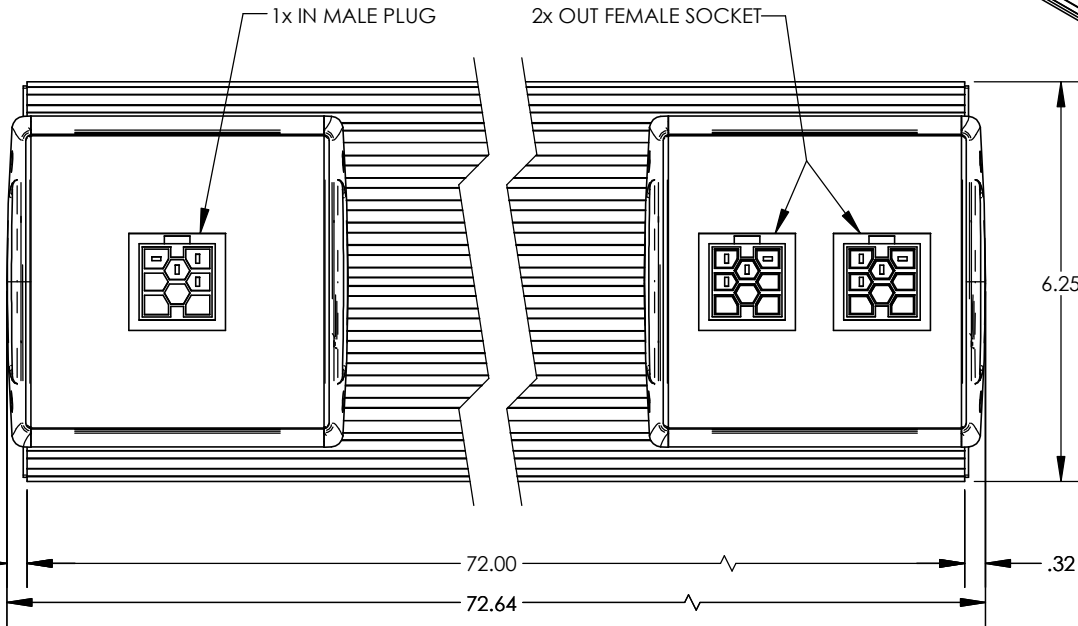
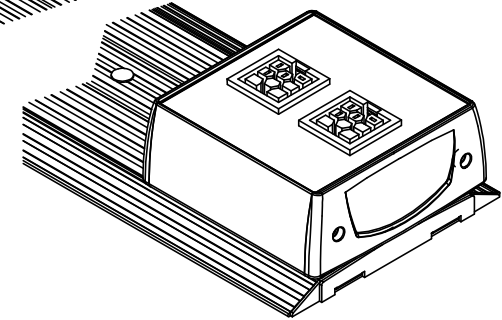
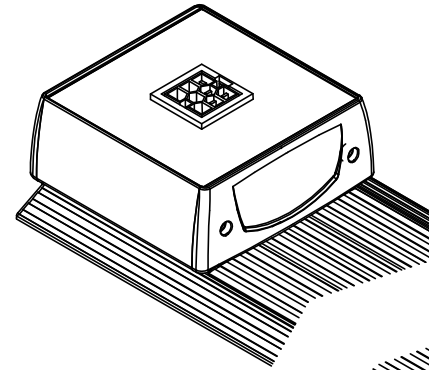
C

B

B

A

A



ADA COMPLIANT

FOR INDOOR USE ONLY.

SWT72-MLS-ALU: COLOR ALUMINUM
 SWT72-MLS-SLT: COLOR SLATE

FSR inc.
 244 BERGEN BLVD.
 WOODLAND PARK, NJ 07424
 TEL (973) 785-4347
 FAX (973) 785-3318

TITLE: SWT72-MLS-ALU/SWT72-MLS-SLT			
DRAWN BY: JRE	DATE: 08/12/22	REV: 01	
DWG#: SWT72-MLS	SCALE: 1:1		

4

3

2

1