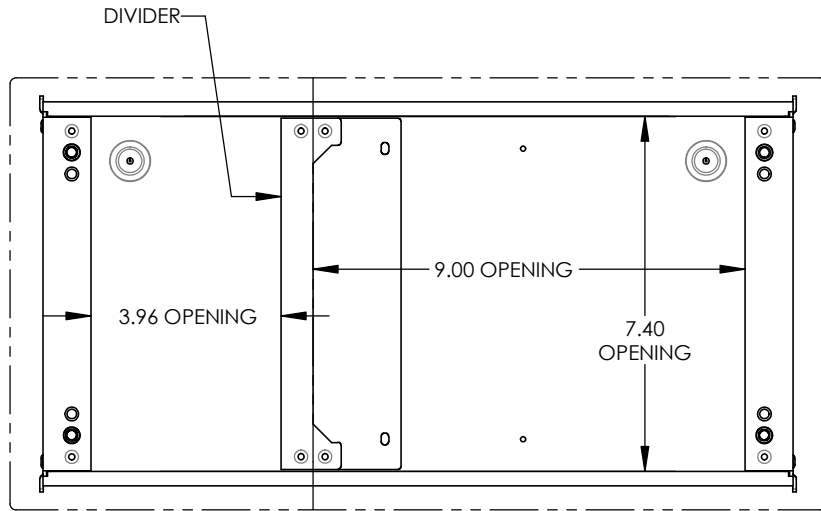


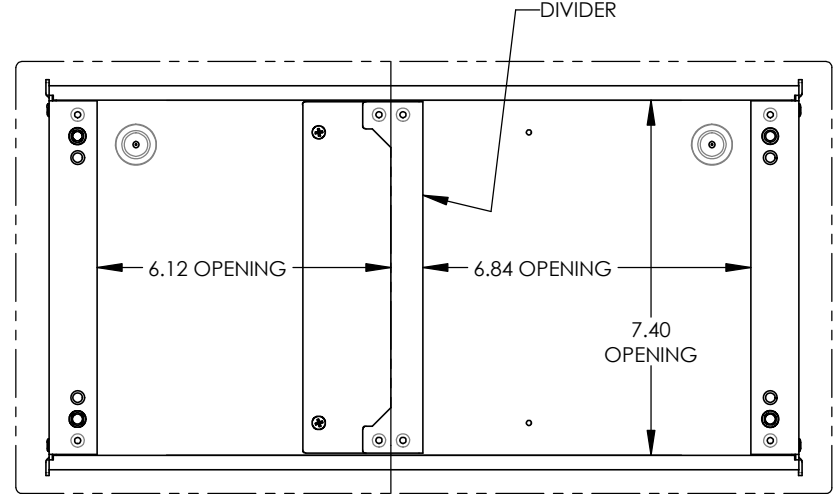
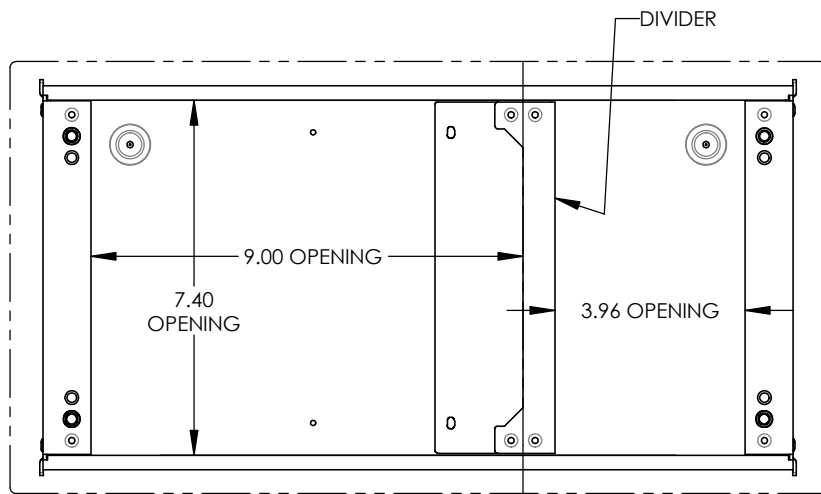
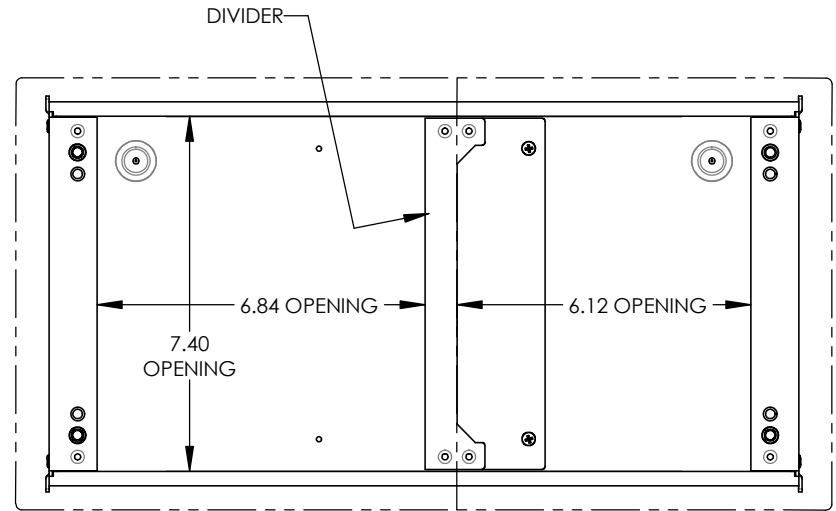
FSR inc. 244 BERGEN BLVD. WOODLAND PARK, NJ 07424 TEL (973) 785-4347 FAX (973) 785-3318	TITLE: PWB-CMU8-2PLT		
	DRAWN BY: JRE	DATE: 07/20/22	REV: 01
	DWG#: PWB-CMU8-2PLT	PAGE: 1 OF 4	SCALE: 1:1

4 POSSIBLE DIVIDER LOCATIONS

FOR 70/30 COVERS

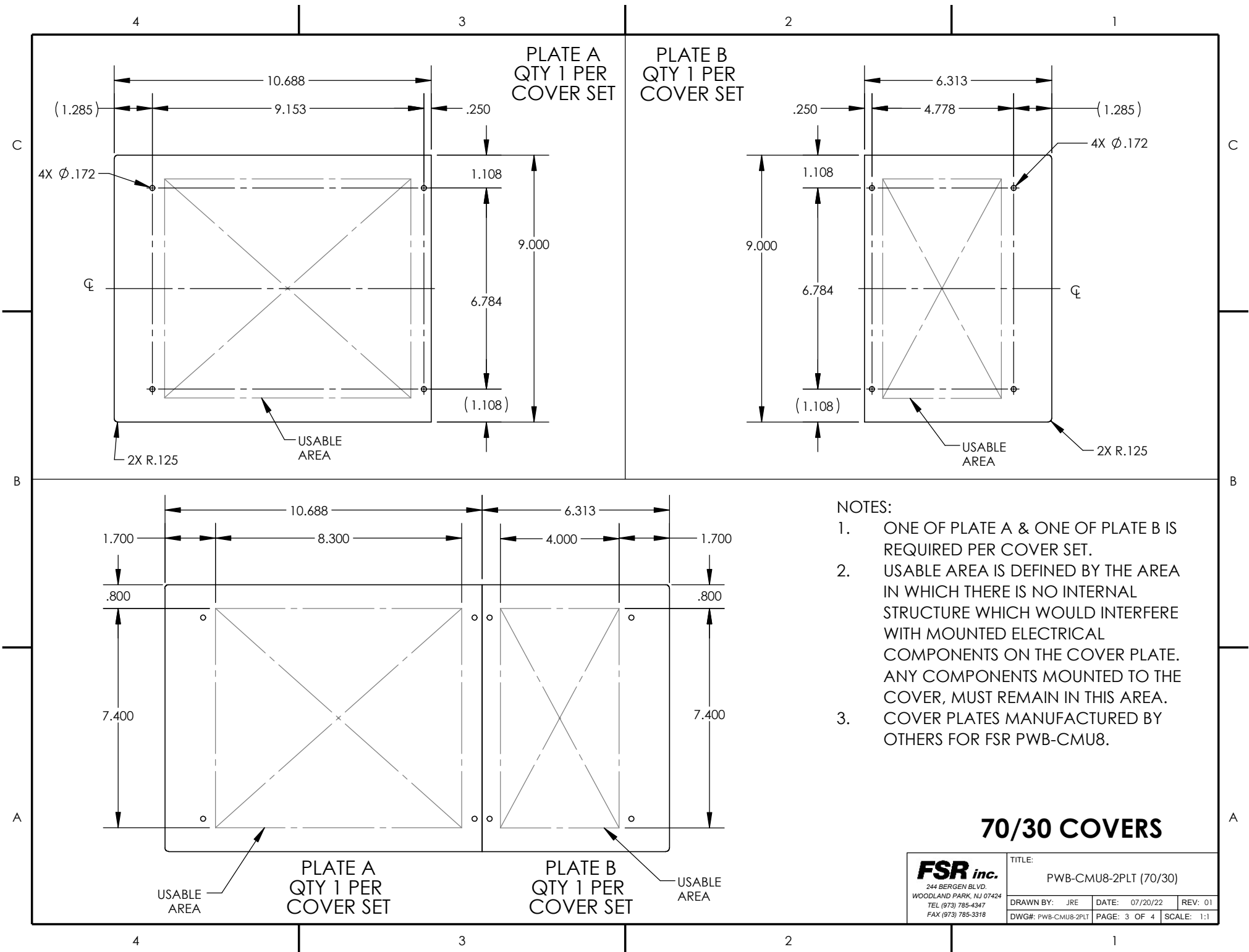


FOR 60/40 COVERS



FSR inc.
 244 BERGEN BLVD.
 WOODLAND PARK, NJ 07424
 TEL (973) 785-4347
 FAX (973) 785-3318

TITLE:		
PWB-CMU8-2PLT		
DRAWN BY: JRE	DATE: 07/20/22	REV: 01
DWG#: PWB-CMU8-2PLT	PAGE: 2 OF 4	SCALE: 1:1



70/30 COVERS

FSR inc. 244 BERGEN BLVD. WOODLAND PARK, NJ 07424 TEL (973) 785-4347 FAX (973) 785-3318	TITLE: PWB-CMU8-2PLT (70/30)		
	DRAWN BY: JRE	DATE: 07/20/22	REV: 01
	DWG#: PWB-CMU8-2PLT	PAGE: 3 OF 4	SCALE: 1:1

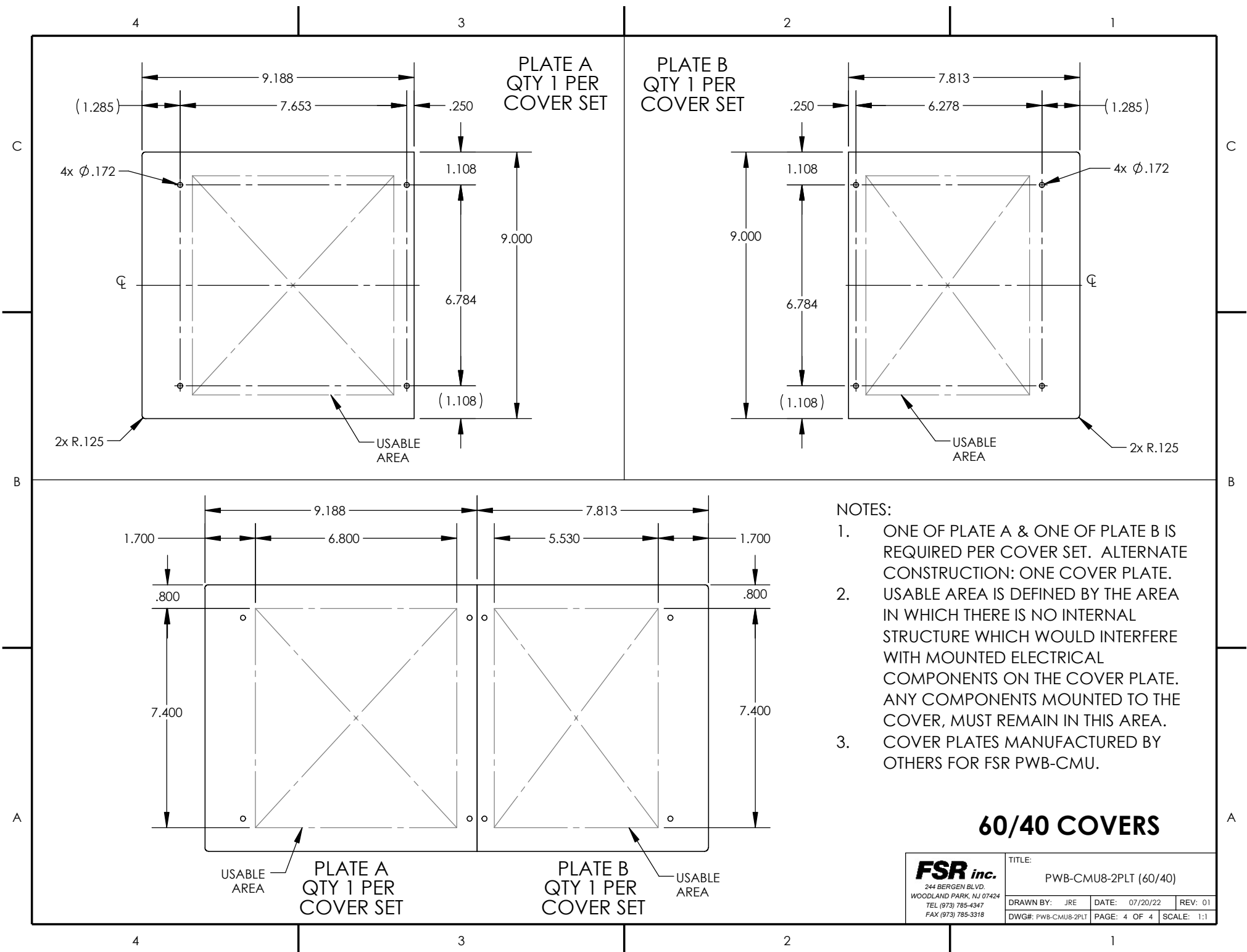


PLATE A
QTY 1 PER
COVER SET

PLATE B
QTY 1 PER
COVER SET

NOTES:

1. ONE OF PLATE A & ONE OF PLATE B IS REQUIRED PER COVER SET. ALTERNATE CONSTRUCTION: ONE COVER PLATE.
2. USABLE AREA IS DEFINED BY THE AREA IN WHICH THERE IS NO INTERNAL STRUCTURE WHICH WOULD INTERFERE WITH MOUNTED ELECTRICAL COMPONENTS ON THE COVER PLATE. ANY COMPONENTS MOUNTED TO THE COVER, MUST REMAIN IN THIS AREA.
3. COVER PLATES MANUFACTURED BY OTHERS FOR FSR PWB-CMU.

60/40 COVERS

FSR inc.
244 BERGEN BLVD.
WOODLAND PARK, NJ 07424
TEL (973) 785-4347
FAX (973) 785-3318

TITLE: PWB-CMU8-2PLT (60/40)			
DRAWN BY: JRE	DATE: 07/20/22	REV: 01	
DWG#: PWB-CMU8-2PLT	PAGE: 4 OF 4	SCALE: 1:1	