

4

3

2

1

C

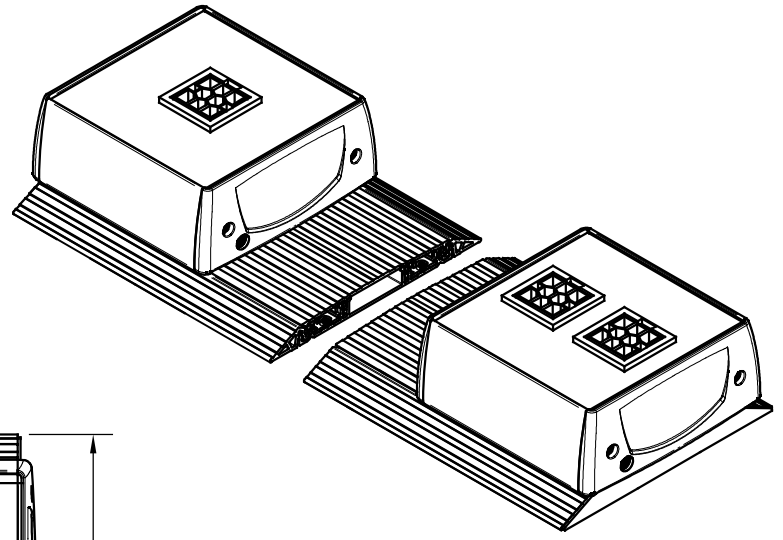
C

B

B

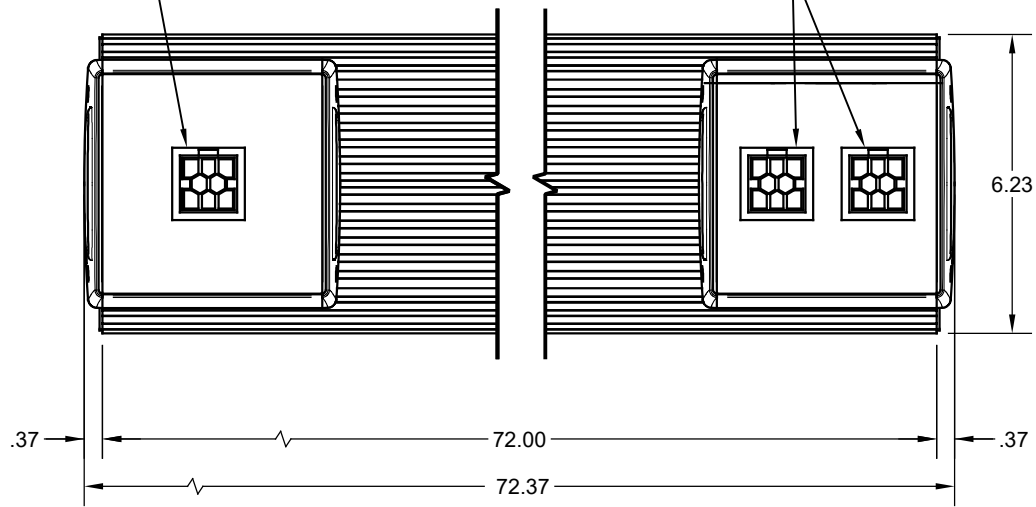
A

A



IN, MALE PLUG

(2) OUT, FEMALE SOCKET



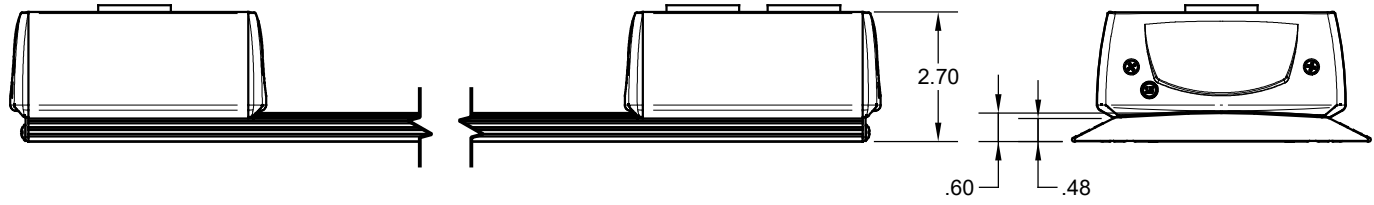
.37

72.00

6.23

.37

72.37



2.70

.60

.48

ADA COMPLIANT

FOR INDOOR USE ONLY.

SWT72-MLS-ALU: COLOR ALUMINUM
 SWT72-MLS-SLT: COLOR SLATE

FSR <i>inc.</i> 244 BERGEN BLVD. WOODLAND PARK, NJ 07424 TEL (973) 785-4347 FAX (973) 785-3318	TITLE: SWT72-MLS	
	DRAWN BY: JRE	DATE:
	DWG#: SWT72-MLS	SCALE: -
	REV: -	

4

3

2

1