

4

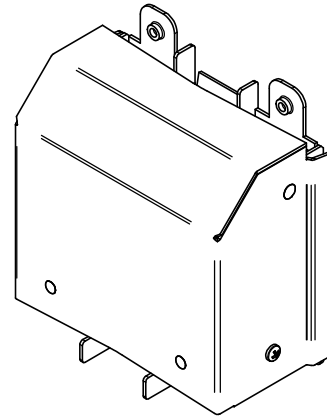
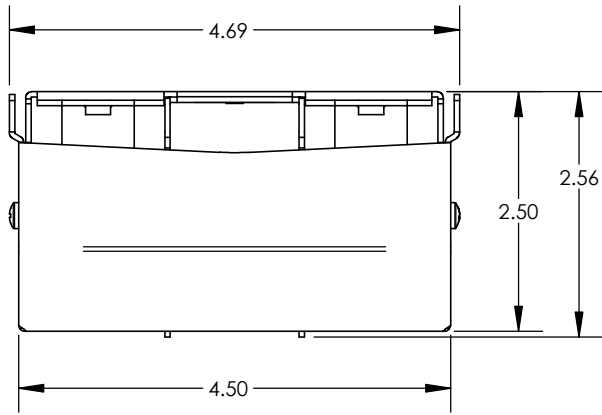
3

2

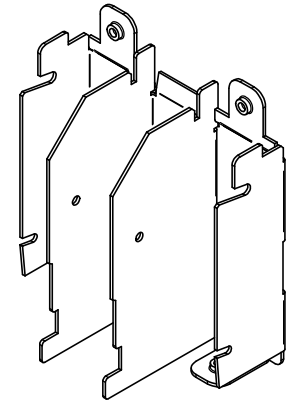
1

C

C



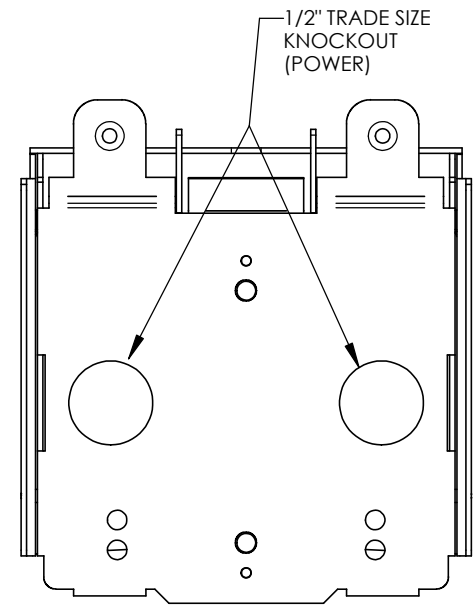
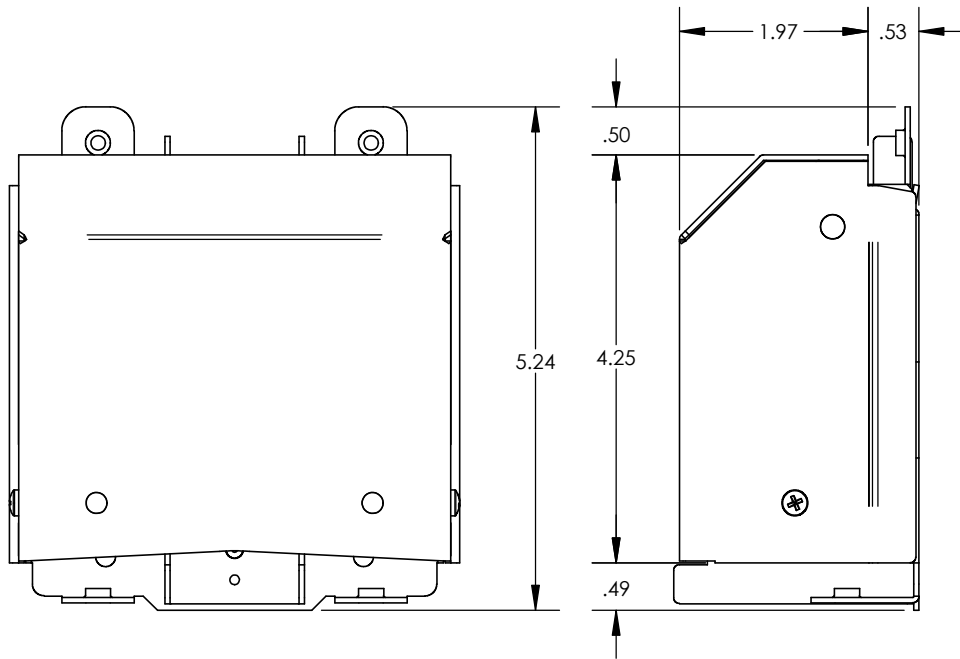
WITH COVER



WITHOUT COVER

B

B



A

A

SW-WT-SWR-SLT - SLATE POWDER COAT
 SW-WT-SWR-ALM - ALUMINUM POWDER COAT

FSR inc.
 244 BERGEN BLVD.
 WOODLAND PARK, NJ 07424
 TEL (973) 785-4347
 FAX (973) 785-3318

TITLE: SW-WT-SWR			
DRAWN BY: JRE	DATE: 06/02/22	REV: 01	
DWG#: SW-WT-SWR			SCALE: 1:2

4

3

2

1