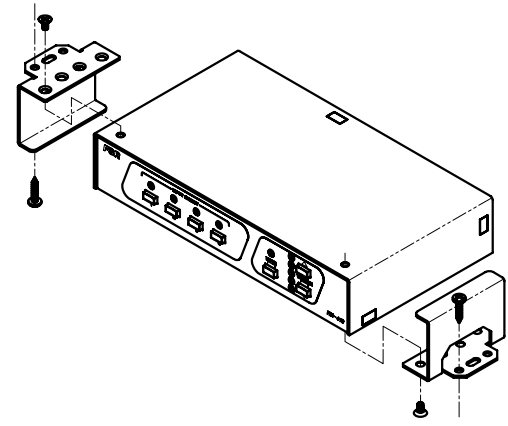
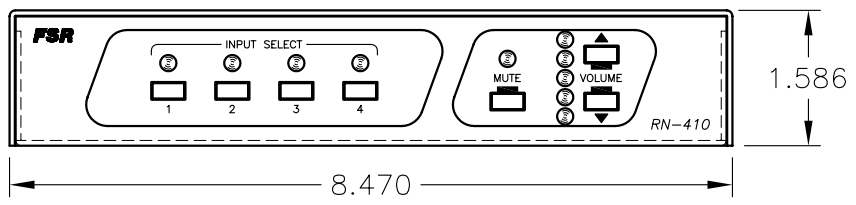
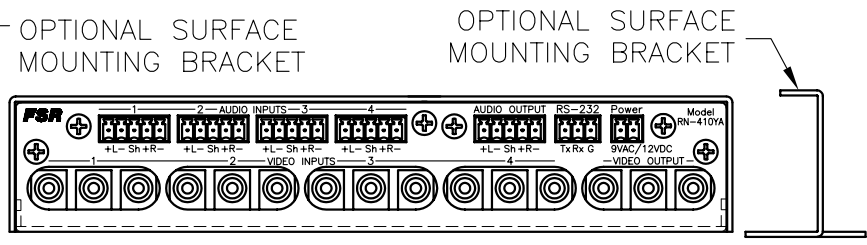


4 3 2 1

UNDER-SURFACE MOUNTING ORIENTATION



TOP-SURFACE MOUNTING ORIENTATION

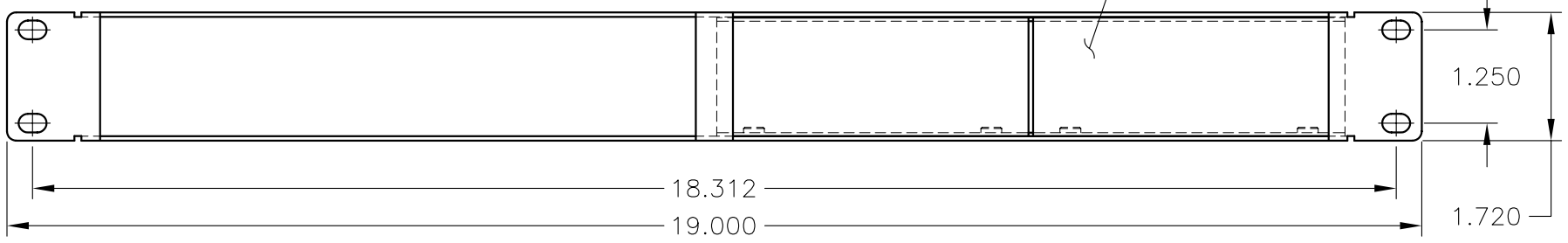


UNDER-SURFACE MOUNTING ORIENTATION

TOP-SURFACE MOUNTING ORIENTATION

CHASSIS DEPTH INSIDE RACK IS 4.75 IN.

OPTIONAL BLANK SPACE FILLER



PROVIDED RACK MOUNT KIT

C

C

B

B

A

A

4 3 2 1

| | | |
|--|-----------|--|
| <p>244 BERGEN BLVD. W. PATERSON, NJ 07424 TEL. (973) 785-4347 FAX (973) 785-3318</p> | TITLE: | COMPONENT VIDEO AND STEREO AUDIO SWITCHER RN-410YA |
| | DRAWN BY: | JRE DATE: 10/22/07 REV: 01 |
| | DWG#: | RN-410YA PAGE: 1 OF 1 SCALE: 1:2.25 |