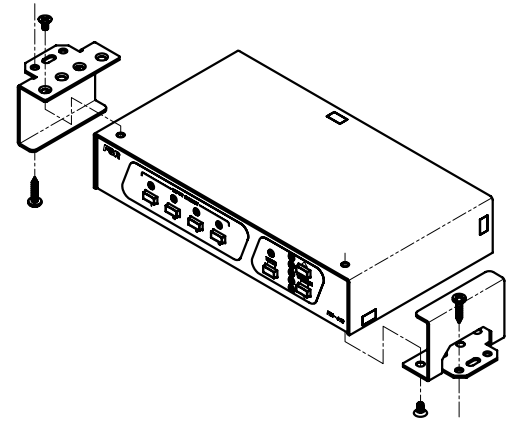
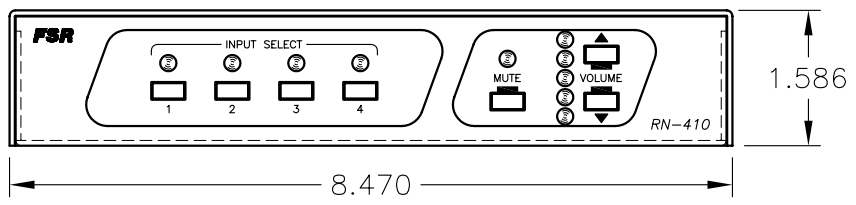
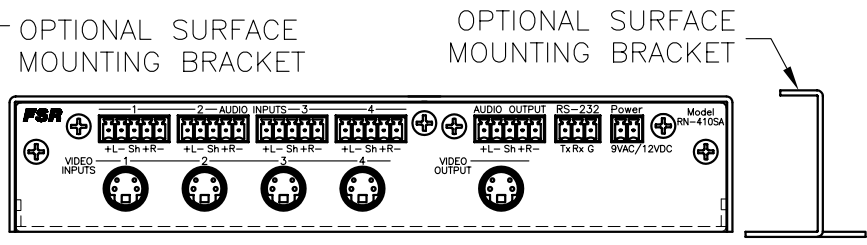


4 3 2 1

UNDER-SURFACE MOUNTING ORIENTATION



TOP-SURFACE MOUNTING ORIENTATION

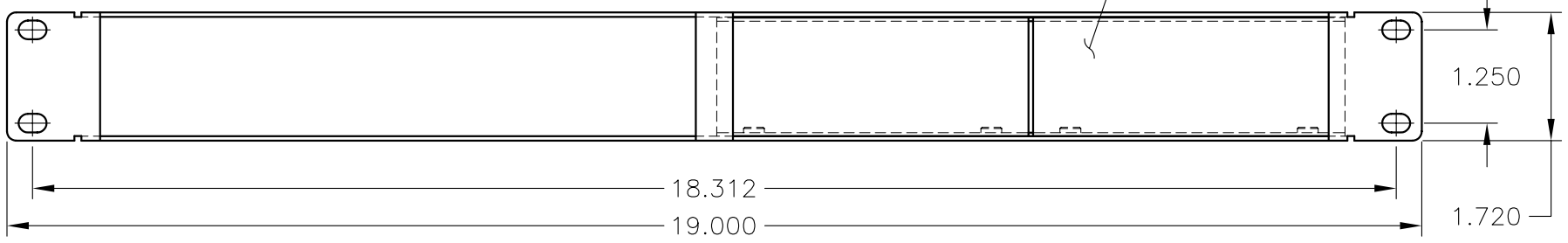


UNDER-SURFACE MOUNTING ORIENTATION

TOP-SURFACE MOUNTING ORIENTATION

CHASSIS DEPTH INSIDE RACK IS 4.75 IN.

OPTIONAL BLANK SPACE FILLER



PROVIDED RACK MOUNT KIT

C

C

B

B

A

A

**FSR** inc.  
244 BERGEN BLVD.  
W. PATERSON, NJ 07424  
TEL. (973) 785-4347  
FAX (973) 785-3318

TITLE: S VIDEO AND STEREO AUDIO SWITCHER RN-410SA  
DRAWN BY: JRE DATE: 10/22/07 REV: 01  
DWG#: RN-410SA PAGE: 1 OF 1 SCALE: 1:2.25

4 3 2 1