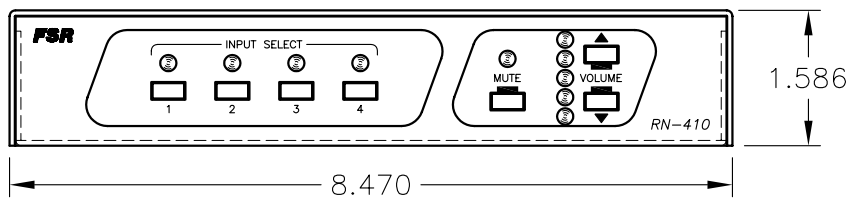
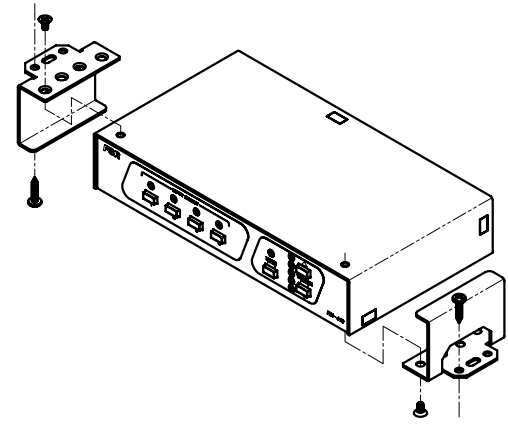


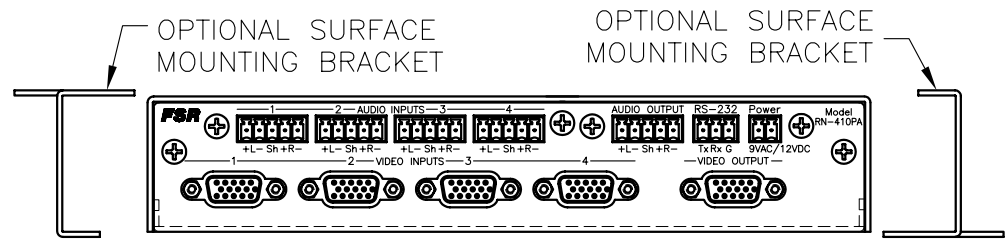
4 3 2 1



UNDER-SURFACE MOUNTING ORIENTATION



TOP-SURFACE MOUNTING ORIENTATION

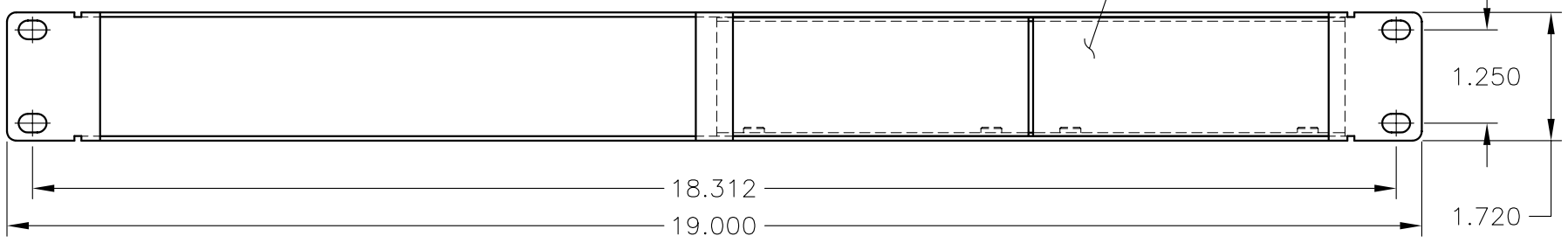


UNDER-SURFACE MOUNTING ORIENTATION

TOP-SURFACE MOUNTING ORIENTATION

CHASSIS DEPTH INSIDE RACK IS 4.75 IN.

OPTIONAL BLANK SPACE FILLER



PROVIDED RACK MOUNT KIT

C

C

B

B

A

A

**FSR** *INC.*  
 244 BERGEN BLVD.  
 W. PATERSON, NJ 07424  
 TEL. (973) 785-4347  
 FAX (973) 785-3318

TITLE: COMPUTER AND STEREO AUDIO SWITCHER RN-410PA  
 DRAWN BY: JRE DATE: 10/22/07 REV: 01  
 DWG#: RN-410PA PAGE: 1 OF 1 SCALE: 1:2.25

4 3 2 1