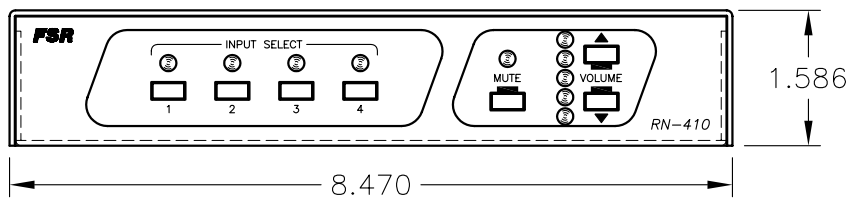
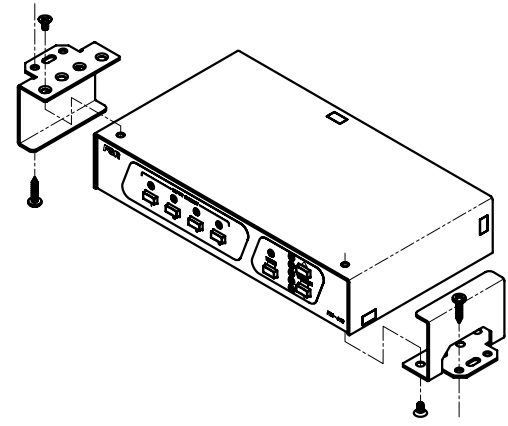


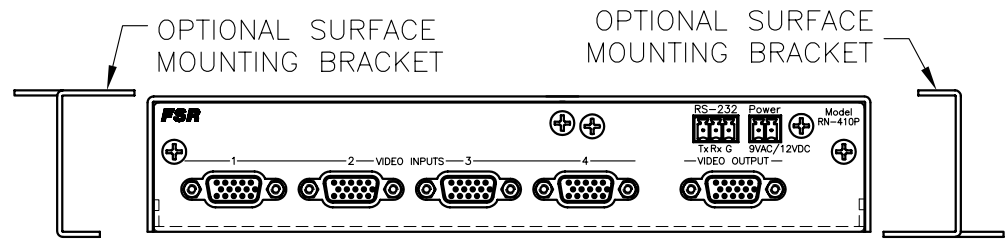
4 3 2 1



UNDER-SURFACE MOUNTING ORIENTATION



TOP-SURFACE MOUNTING ORIENTATION

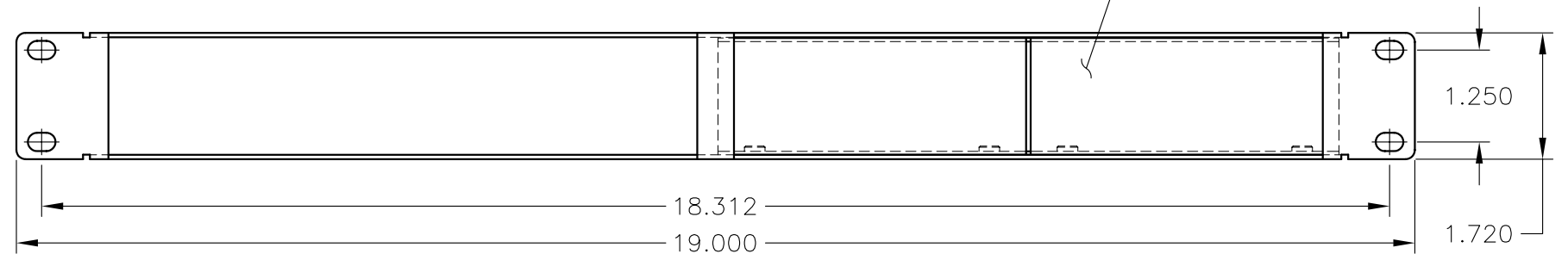


UNDER-SURFACE MOUNTING ORIENTATION

TOP-SURFACE MOUNTING ORIENTATION

CHASSIS DEPTH INSIDE RACK IS 4.75 IN.

OPTIONAL BLANK SPACE FILLER



PROVIDED RACK MOUNT KIT

C

C

B

B

A

A

**FSR** inc.  
 244 BERGEN BLVD.  
 W. PATERSON, NJ 07424  
 TEL. (973) 785-4347  
 FAX (973) 785-3318

TITLE:	COMPUTER SWITCHER RN-410P		
DRAWN BY:	JRE	DATE:	10/22/07
DWG#:	RN-410P	PAGE:	1 OF 1
REV:	01	SCALE:	1:2.25

4 3 2 1