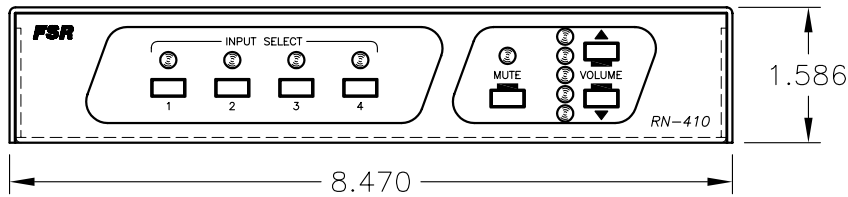
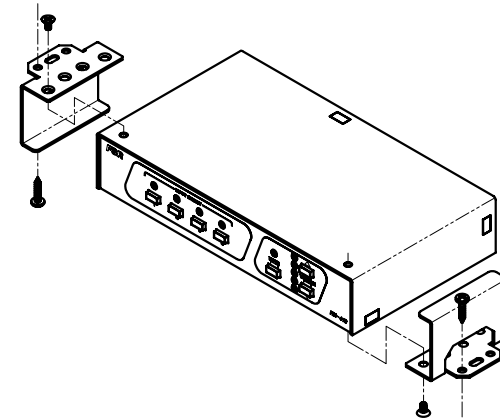


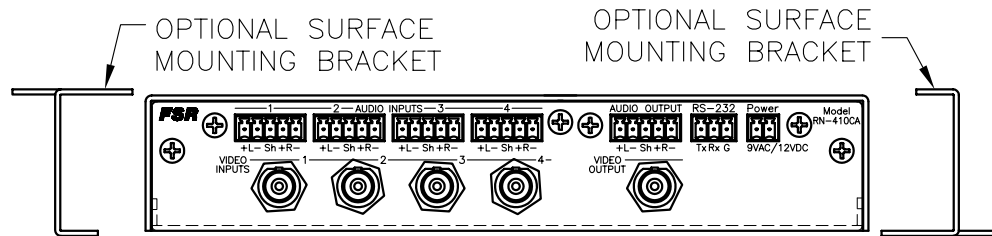
4 3 2 1



UNDER-SURFACE MOUNTING ORIENTATION



TOP-SURFACE MOUNTING ORIENTATION

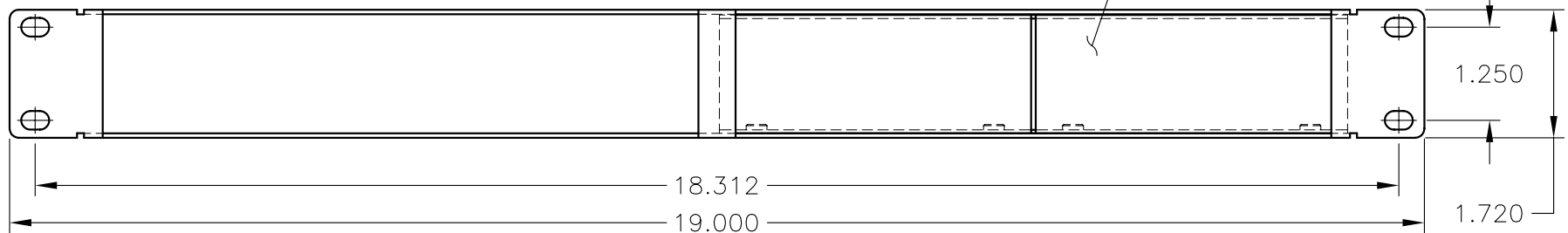


UNDER-SURFACE MOUNTING ORIENTATION

TOP-SURFACE MOUNTING ORIENTATION

CHASSIS DEPTH INSIDE RACK IS 4.75 IN.

OPTIONAL BLANK SPACE FILLER



PROVIDED RACK MOUNT KIT

C

C

B

B

A

A

4

3

2

1

FSR *INC.*
 244 BERGEN BLVD.
 W. PATERSON, NJ 07424
 TEL. (973) 785-4347
 FAX (973) 785-3318

TITLE: COMPOSITE VIDEO AND STEREO AUDIO SWITCHER RN-410CA
 DRAWN BY: JRE DATE: 10/22/07 REV: 01
 DWG#: RN-410CA PAGE: 1 OF 1 SCALE: 1:2.25