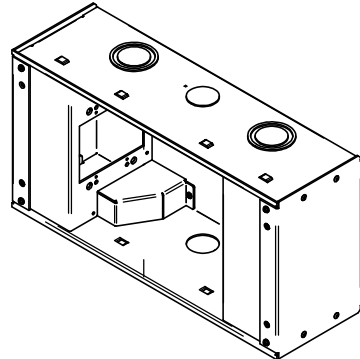
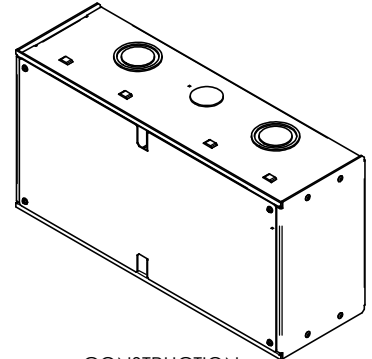


4x 1" - 1-1/4" - 1-1/2" KNOCKOUT

2x 1" KNOCKOUT



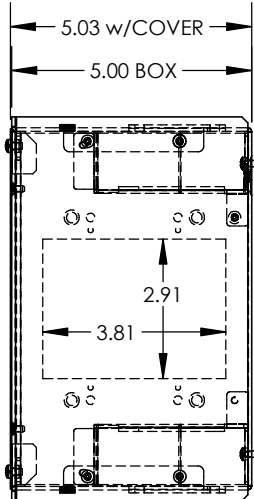
COVER REMOVED



CONSTRUCTION COVER SHOWN (PROVIDED)

3.26 COMPARTMENT DEPTH

2-GANG OPENING



WIDE GANG SPACER  
2 PROVIDED FOR  
SINGLE-GANG USE

COVER REMOVED

**FSR Inc.**  
244 BERGEN BLVD.  
WOODLAND PARK, NJ 07424  
TEL (973) 785-4347  
FAX (973) 785-3318

TITLE:			
PWB-CMU8			
DRAWN BY: JRE	DATE: 10/15/21	REV: 01	
DWG#: PWB-CMU8	PAGE: 1 OF 2	SCALE: 1:4	

4

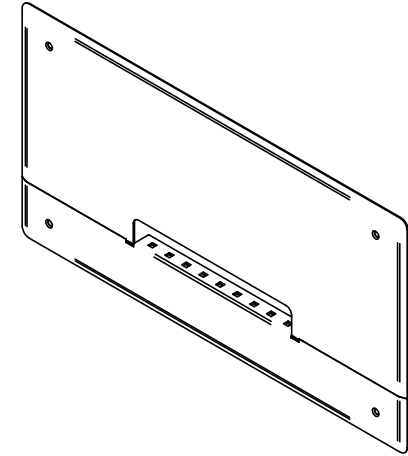
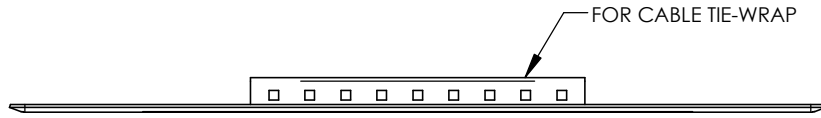
3

2

1

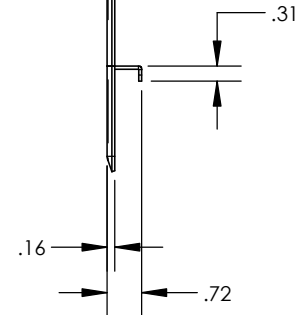
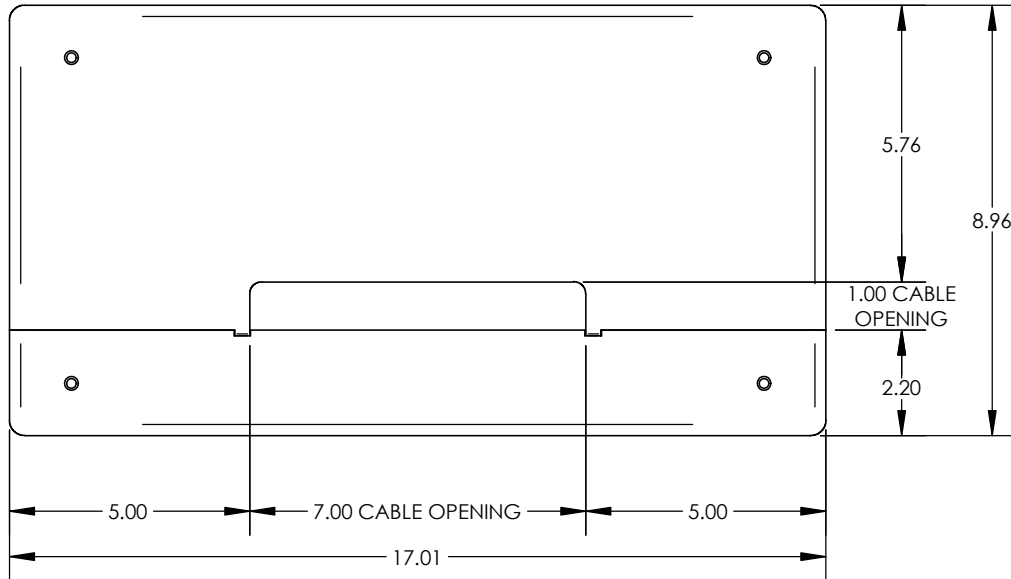
C

C



B

B



COVER  
(SOLD SEPARATELY)

A

A

4

3

2

1

**FSR Inc.**  
 244 BERGEN BLVD.  
 WOODLAND PARK, NJ 07424  
 TEL (973) 785-4347  
 FAX (973) 785-3318

TITLE:			
PWB-CMU8			
DRAWN BY: JRE	DATE: 10/15/21	REV: 01	
DWG#: PWB-CMU8	PAGE: 2 OF 2	SCALE: 1:4	