

4

3

2

1

C

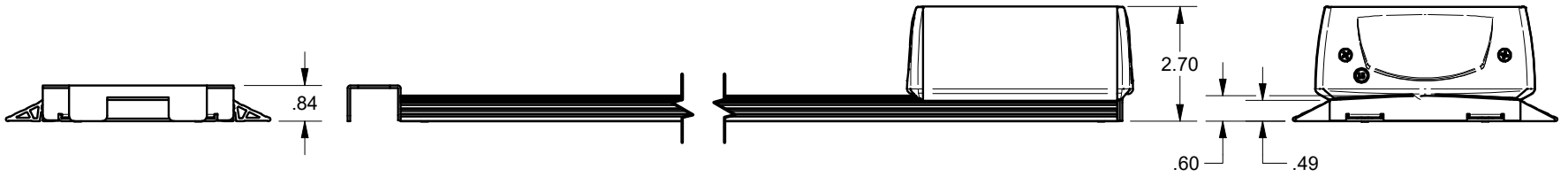
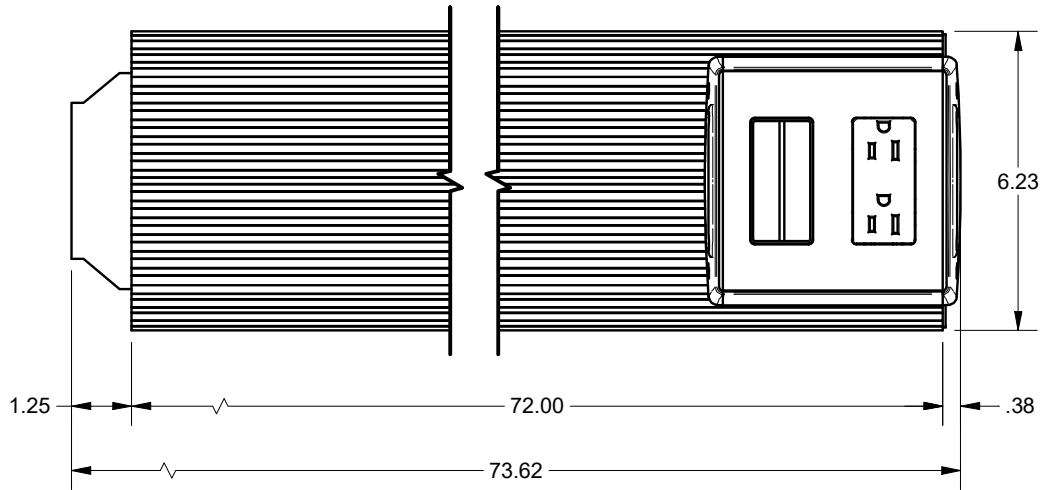
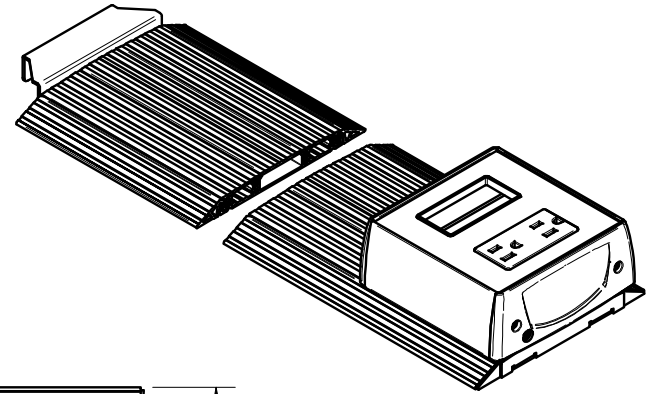
C

B

B

A

A



ADA COMPLIANT

FOR INDOOR USE ONLY.

| | | | |
|--|--------------------|----------------|--------|
| FSR <i>inc.</i> <small>244 BERGEN BLVD. WOODLAND PARK, NJ 07424 TEL (973) 785-4347 FAX (973) 785-3318</small> | TITLE: SW-STK-1P1D | | |
| | DRAWN BY: JRE | DATE: 01/15/21 | REV: - |
| | DWG#: SW-STK-1P1D | SCALE: - | |

4

3

2

1