

4

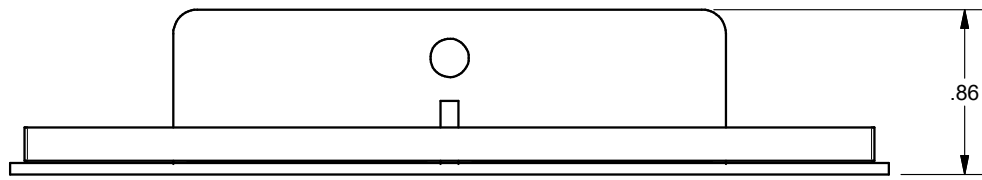
3

2

1

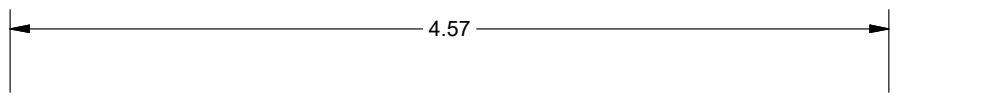
C

C



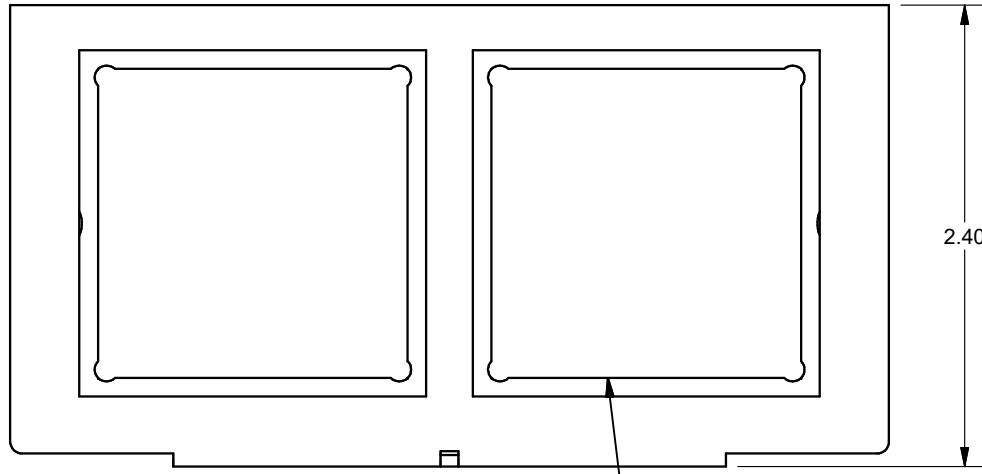
B

B

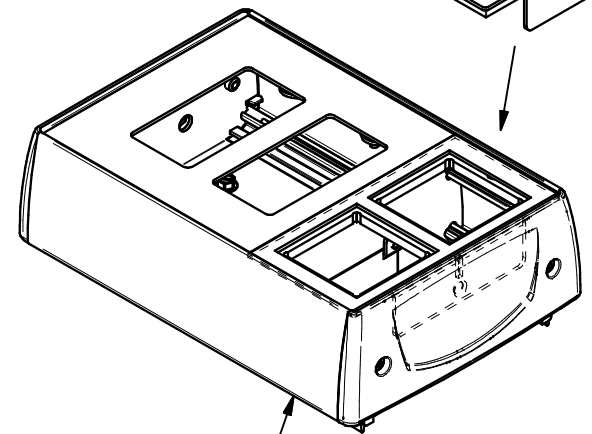
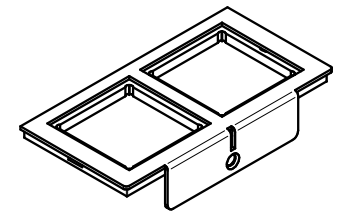


A

A



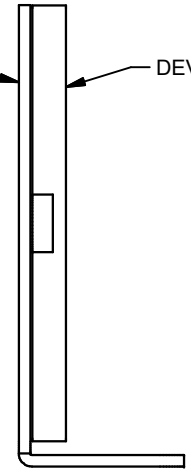
OPENING FOR 45mm CONNECTOR



BOX SOLD SEPARATELY

COVER PLATE

DEVICE INSERT PLATE



**FSR inc.**  
 244 BERGEN BLVD.  
 WOODLAND PARK, NJ 07424  
 TEL (973) 785-4347  
 FAX (973) 785-3318

TITLE:		
SW-IDB-D45I		
DRAWN BY: JRE	DATE: 06/02/20	REV: -
DWG#:	SW-IDB-D45I	SCALE: -

4

3

2

1