

4

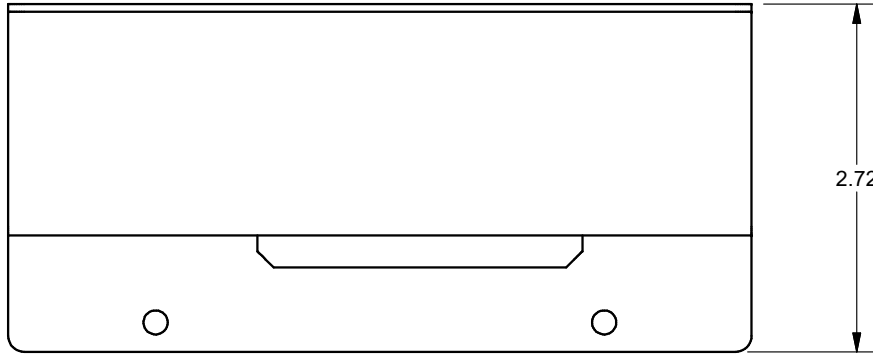
3

2

1

C

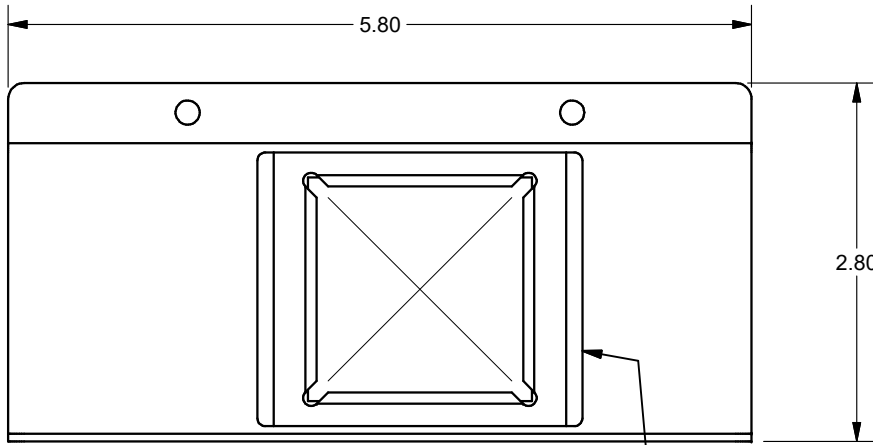
C



2.72

B

B



5.80

2.80

45mm SOCKET FRAME

.66

2.06

.53

2.27

.97

1.75

A

A

FSR inc.
 244 BERGEN BLVD.
 WOODLAND PARK, NJ 07424
 TEL (973) 785-4347
 FAX (973) 785-3318

TITLE: FL-200-4S45		
DRAWN BY: JRE	DATE: 05/18/20	REV: -
DWG#: FL-200-4S45	SCALE: -	

4

3

2

1