

4

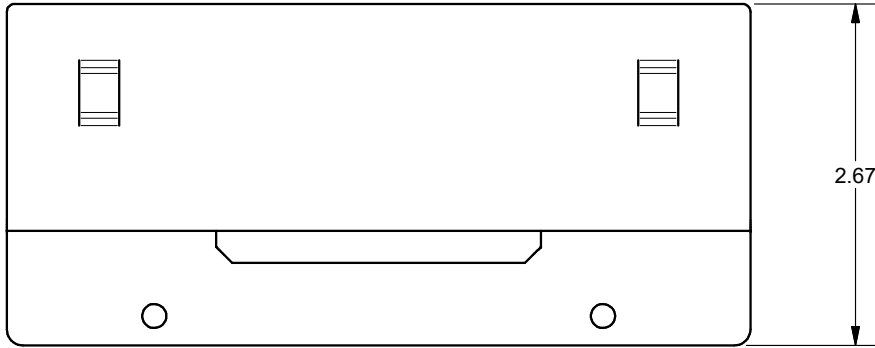
3

2

1

C

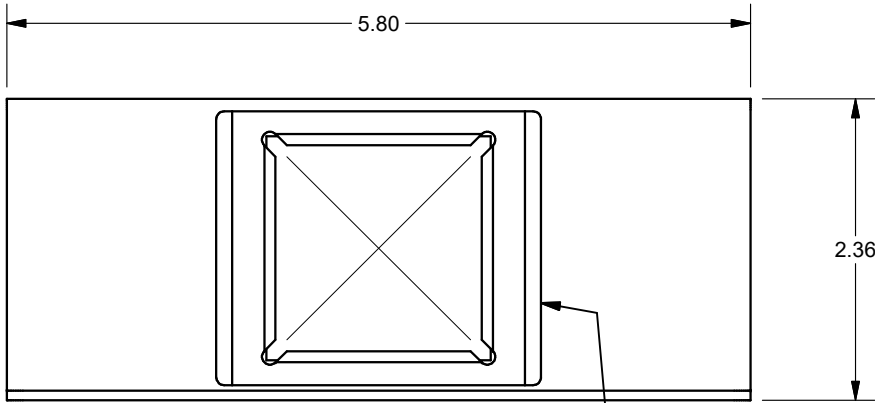
C



2.67

B

B



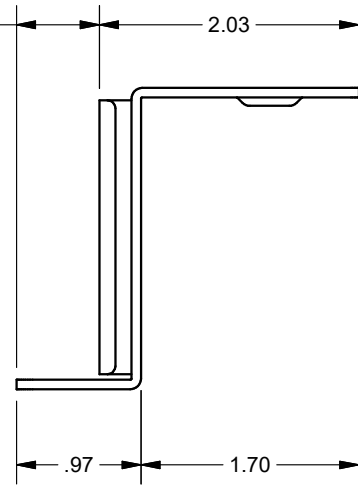
5.80

2.36

45mm SOCKET FRAME

.65

2.03



A

A

4

3

2

1

FSR inc.
 244 BERGEN BLVD.
 WOODLAND PARK, NJ 07424
 TEL (973) 785-4347
 FAX (973) 785-3318

| | | | |
|---------------|----------------|-------------|--|
| TITLE: | | FL-200-3S45 | |
| DRAWN BY: JRE | DATE: 05/18/20 | REV: - | |
| DWG#: | FL-200-3S45 | SCALE: - | |