

4

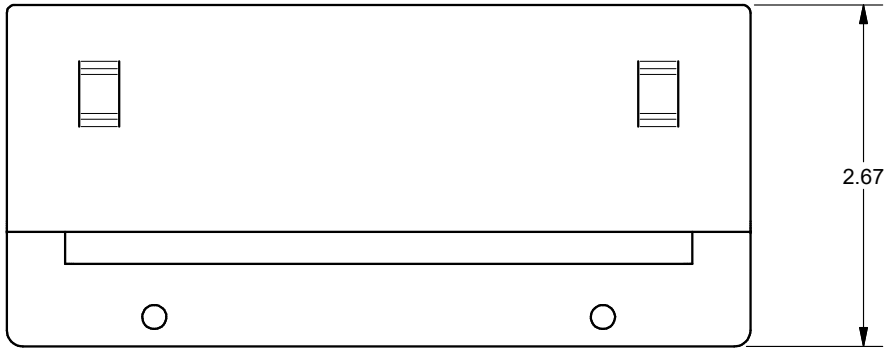
3

2

1

C

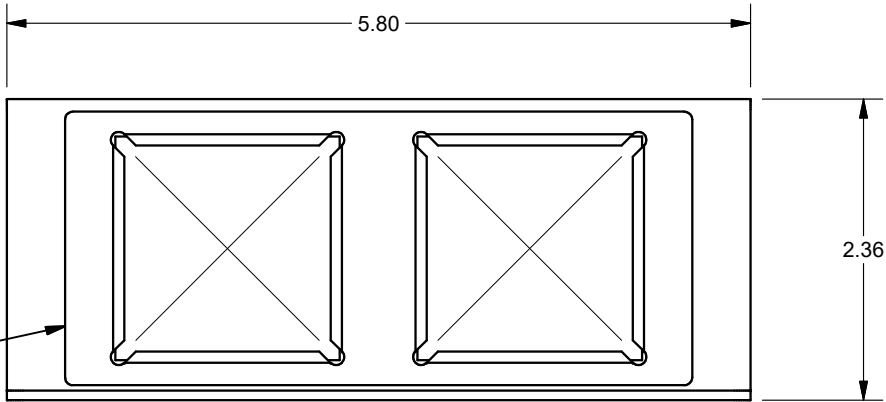
C



2.67

B

B



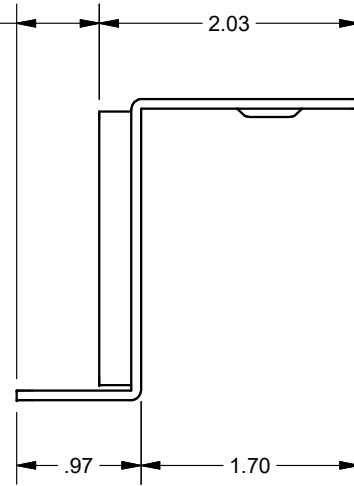
5.80

2.36

45mm SOCKET FRAME

.65

2.03



.97

1.70

A

A

4

3

2

1

FSR inc.
 244 BERGEN BLVD.
 WOODLAND PARK, NJ 07424
 TEL (973) 785-4347
 FAX (973) 785-3318

TITLE:		FL-200-3D45	
DRAWN BY: JRE	DATE: 05/18/20	REV: -	
DWG#:	FL-200-3D45	SCALE: -	