

4

3

2

1

C

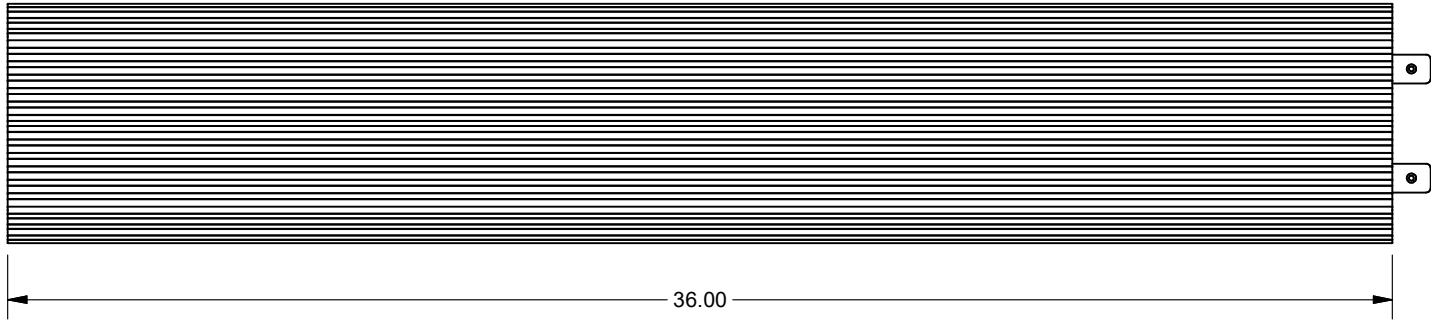
C

B

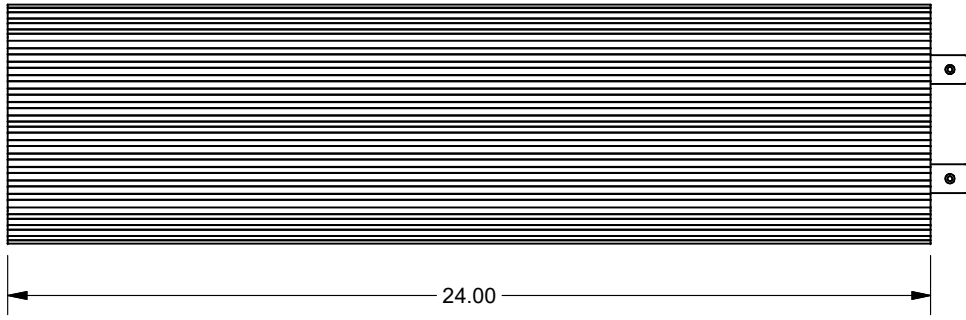
B

A

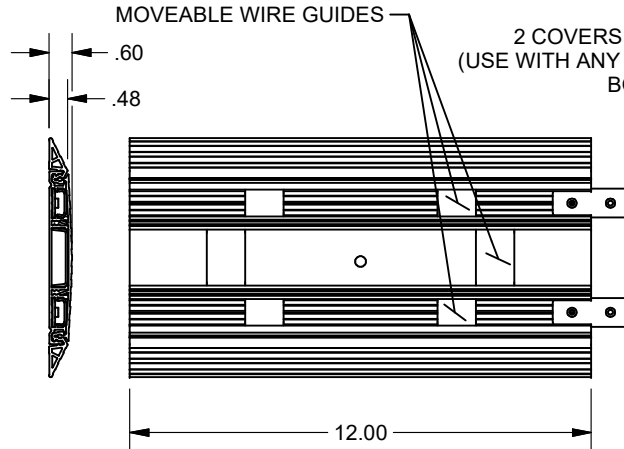
A



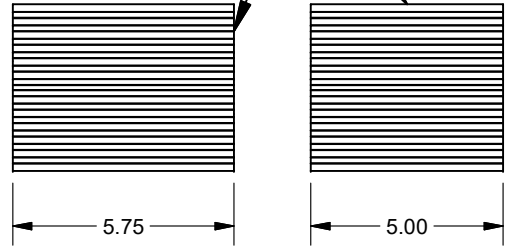
EDGE #1: USED WHEN THE RACEWAY BASE IS SITTING DIRECTLY ON THE CONCRETE/WOOD/CARPET/ COMPOSITE-STYLE FLOOR SURFACE.



EDGE #2: USED WHEN THE RACEWAY BASE IS MOUNTED TO A SUB-FLOOR SURFACE, AND ANOTHER FLOOR COVERING (EXAMPLE: LINOLEUM, THIN PILE CARPET, ETC) IS APPLIED TO THE FLOOR AFTER THE RACEWAY BASE IS IN PLACE, THIS COVERING BEING BROUGHT RIGHT UP TO THE SIDE OF THE RACEWAY BASE, BUT NOT AS HIGH AS THE RACEWAY BASE OUTER WALL.



EDGE #3: USED WHEN THE RACEWAY BASE IS MOUNTED TO A SUB-FLOOR, AND THE FLOOR COVERING (EXAMPLE: CERAMIC TILE, TERRAZZO, ETC) IS THICK ENOUGH THAT IT REACHES, OR SLIGHTLY EXCEEDS THE HEIGHT OF THE RACEWAY BASE OUTER WALL.



ADA COMPLIANT

PATENT PENDING

FSR inc. <small>244 BERGEN BLVD. WOODLAND PARK, NJ 07424 TEL (973) 785-4347 FAX (973) 785-3318</small>	TITLE: SW-T123		
	DRAWN BY: JRE	DATE: 05/07/20	REV: 01
	DWG#:	SW-T123	SCALE: -

4

3

2

1