

4

3

2

1

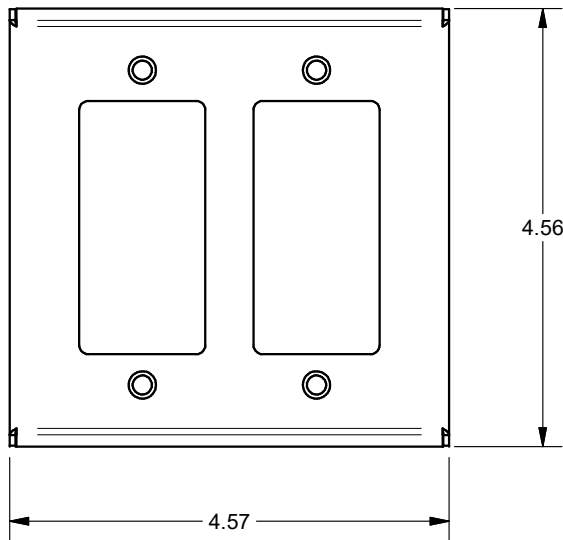
C

C



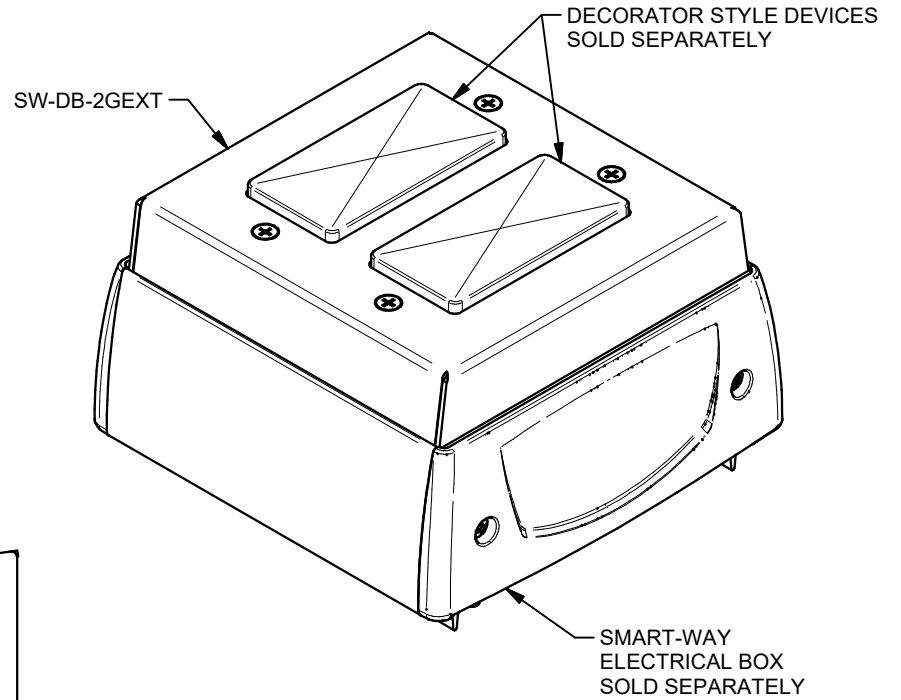
B

B



A

A



ASSEMBLED DEPTH OF ELECTRICAL BOX IS 2.75"

FOR USE WITH 2 POWER OR 2 DATA MODELS ONLY, SW-DB-2P OR SW-DB-2D.

FSR inc.
 244 BERGEN BLVD.
 WOODLAND PARK, NJ 07424
 TEL (973) 785-4347
 FAX (973) 785-3318

TITLE: SW-DB-2GEXT		
DRAWN BY: JRE	DATE: 12/10/19	REV: -
DWG#: SW-DB-2GEXT	SCALE: -	

4

3

2

1