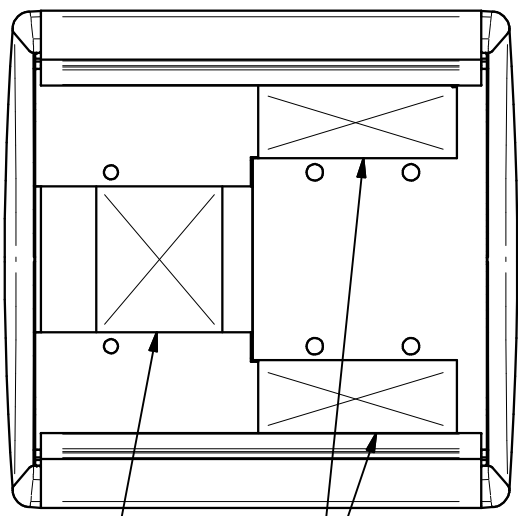
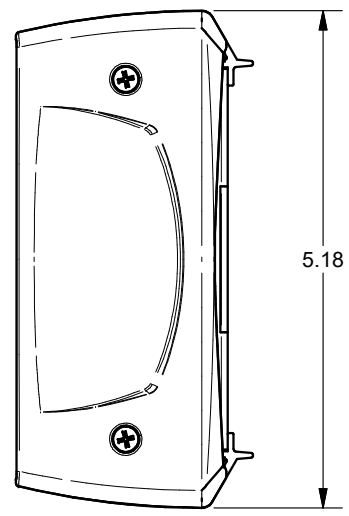
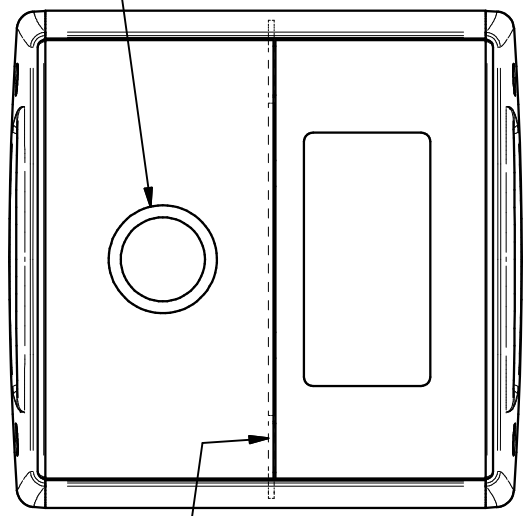


1/2" & 3/4" KNOCKOUT



POWER COMPARTMENT VOLUME: 19.5 cu. in.

**FSR inc.**  
 244 BERGEN BLVD.  
 WOODLAND PARK, NJ 07424  
 TEL (973) 785-4347  
 FAX (973) 785-3318

TITLE:		SW-DB-1HWP1D	
DRAWN BY: JRE	DATE: 07/22/19	REV: -	
DWG#:	SW-DB-1HWP1D	SCALE: -	