

4

3

2

1

C

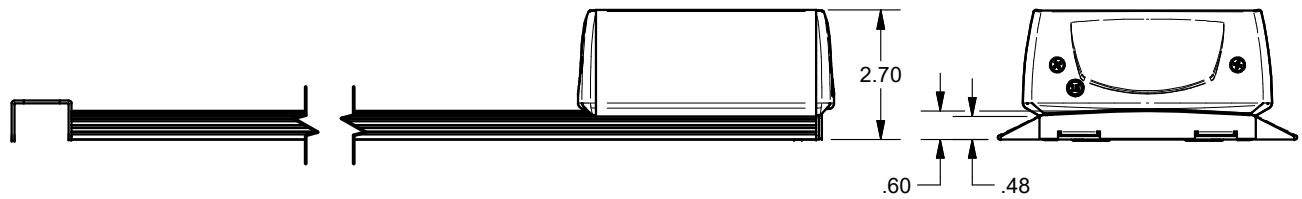
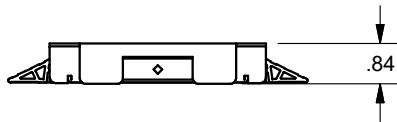
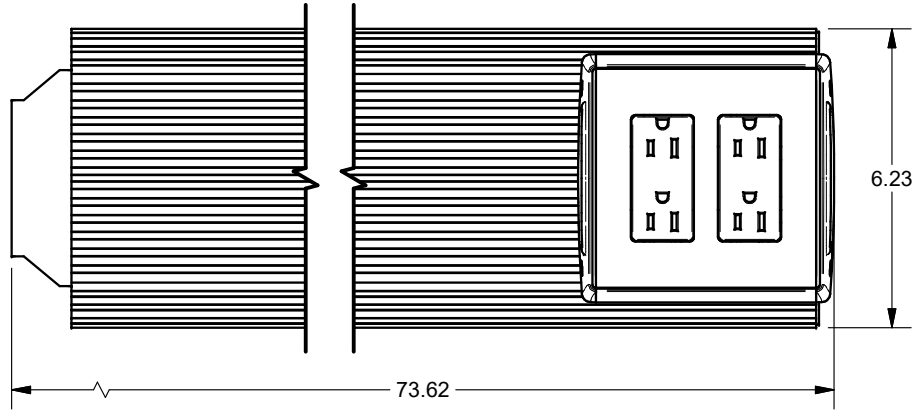
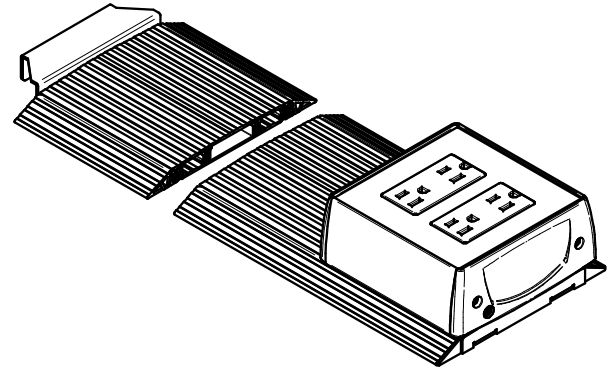
C

B

B

A

A



ADA COMPLIANT

FSR inc.
 244 BERGEN BLVD.
 WOODLAND PARK, NJ 07424
 TEL (973) 785-4347
 FAX (973) 785-3318

TITLE: SW-STK-2P		
DRAWN BY: JRE	DATE: 07/22/19	REV: -
DWG#:	SW-STK-2P	SCALE: -

4

3

2

1