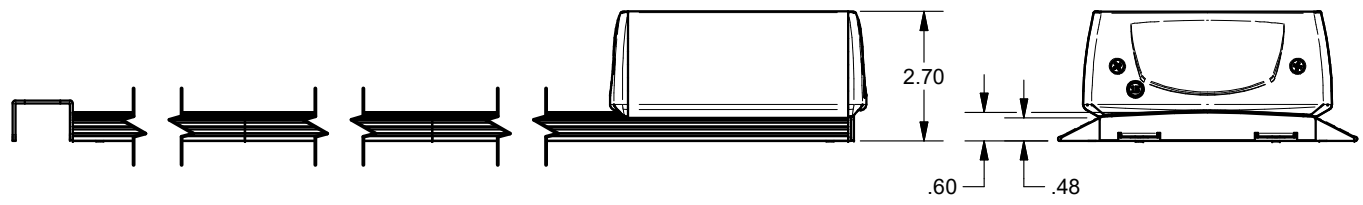
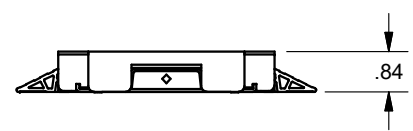
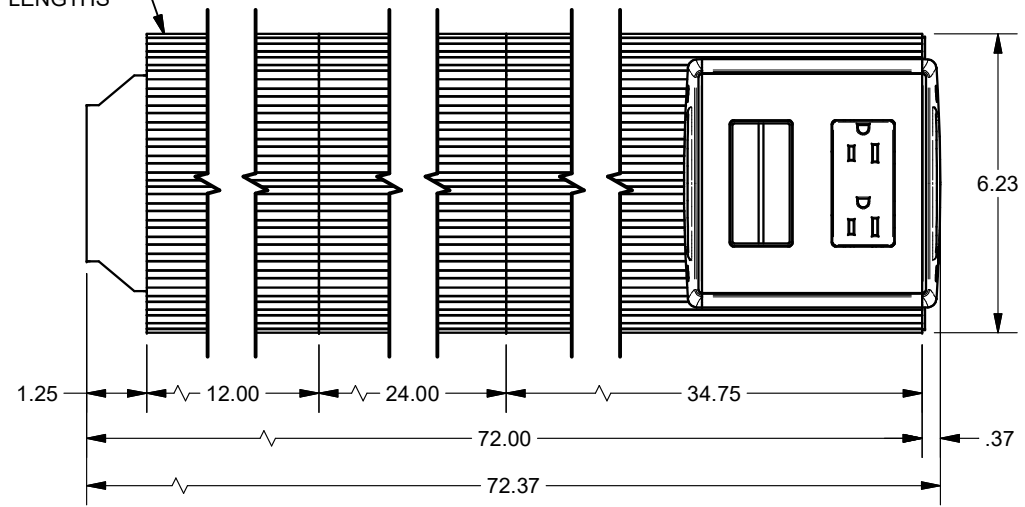
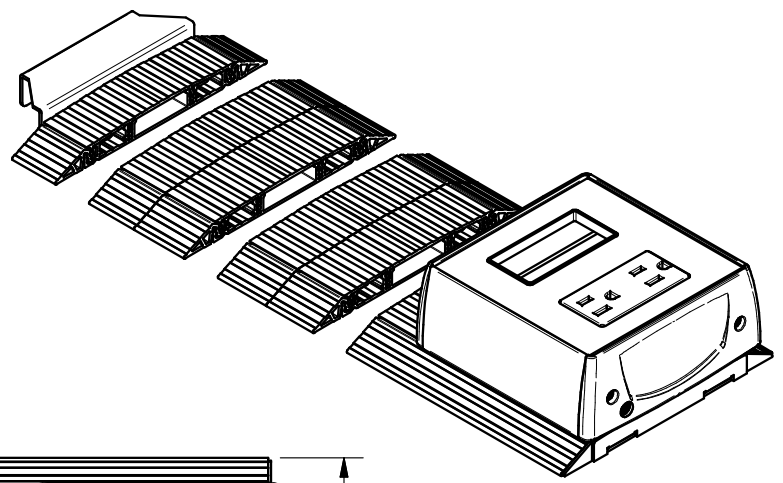


1, 2, OR 3 PIECES OF RACEWAY  
CAN BE USED TO CONFIGURE  
DIFFERENT LENGTHS



ADA COMPLIANT

FOR INDOOR USE ONLY.

<b>FSR inc.</b> <small>244 BERGEN BLVD.          WOODLAND PARK, NJ 07424          TEL (973) 785-4347          FAX (973) 785-3318</small>	TITLE: SW-321STK-1P1D	
	DRAWN BY: JRE	DATE:
	DWG#: SW-321STK-1P1D	SCALE: -
	REV: -	

4

3

2

1

C

C

B

B

A

A

4

3

2

1