

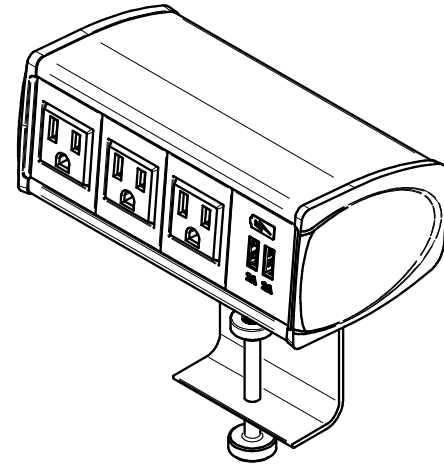
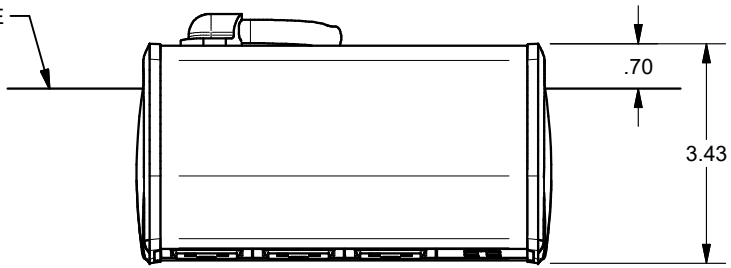
4

3

2

1

TABLE EDGE

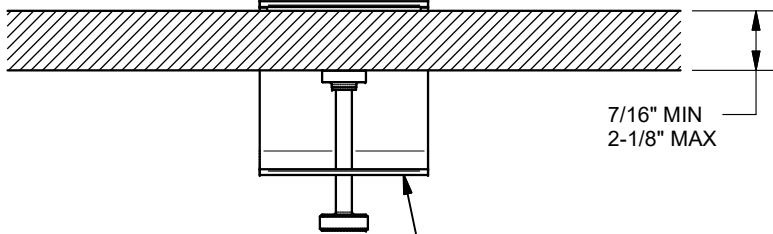
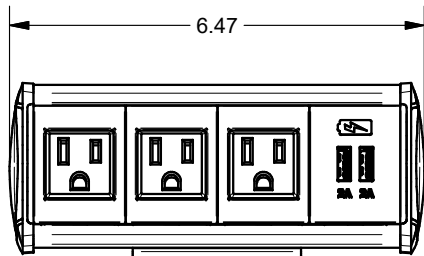


C

C

B

B

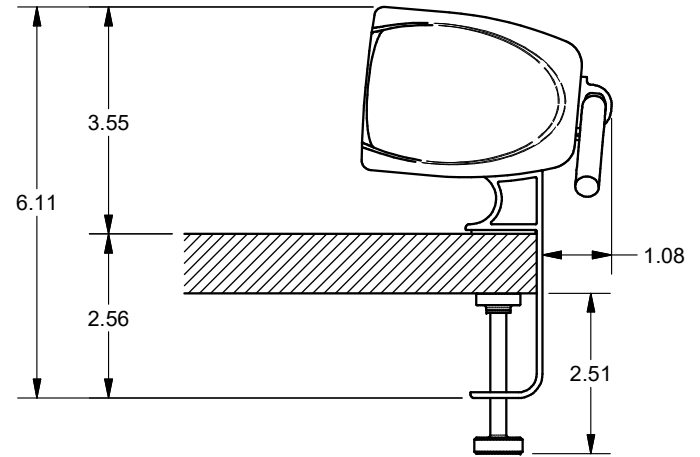


7/16" MIN  
2-1/8" MAX

MOUNTING CLAMP

A

A



**FSR inc.**  
 244 BERGEN BLVD.  
 WOODLAND PARK, NJ 07424  
 TEL (973) 785-4347  
 FAX (973) 785-3318

TITLE: SYM-CL-3AC-1CA		
DRAWN BY: JRE	DATE: 11/21/18	REV: -
DWG#:	SYM-CL-3AC-1CA	SCALE: -

4

3

2

1