

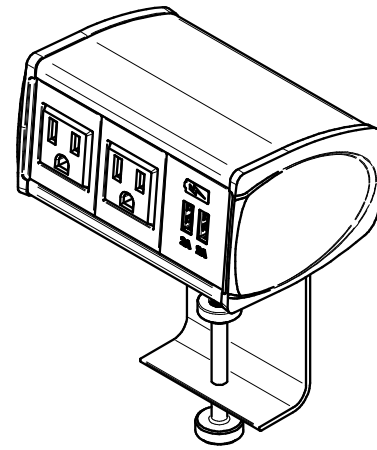
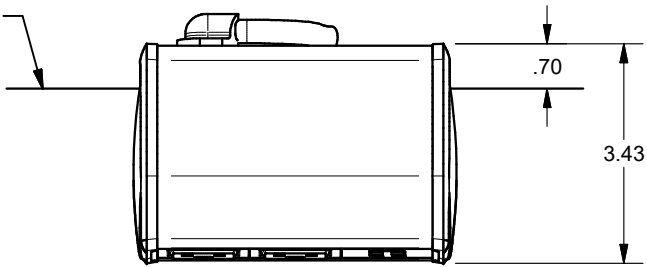
4

3

2

1

TABLE EDGE

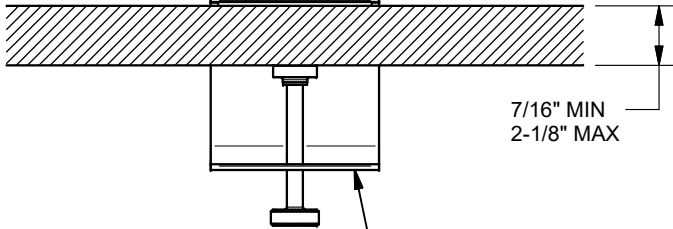


C

C

B

B

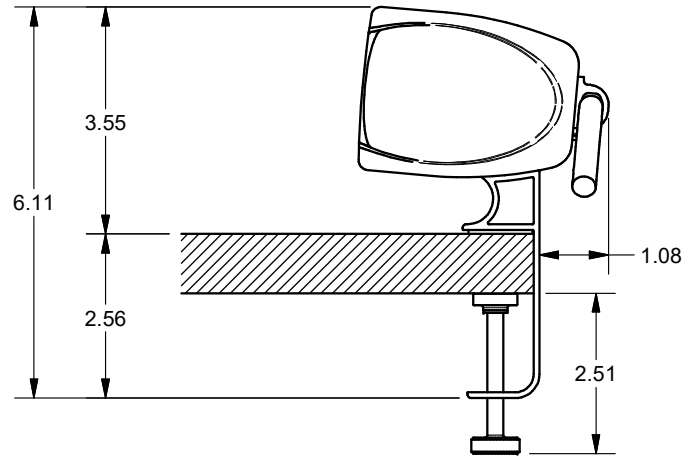


7/16" MIN
2-1/8" MAX

MOUNTING CLAMP

A

A



FSR inc.
 244 BERGEN BLVD.
 WOODLAND PARK, NJ 07424
 TEL (973) 785-4347
 FAX (973) 785-3318

TITLE: SYM-CL-2AC-1CA		
DRAWN BY: JRE	DATE: 11/21/18	REV: -
DWG#: SYM-CL-2AC-1CA	SCALE: -	

4

3

2

1